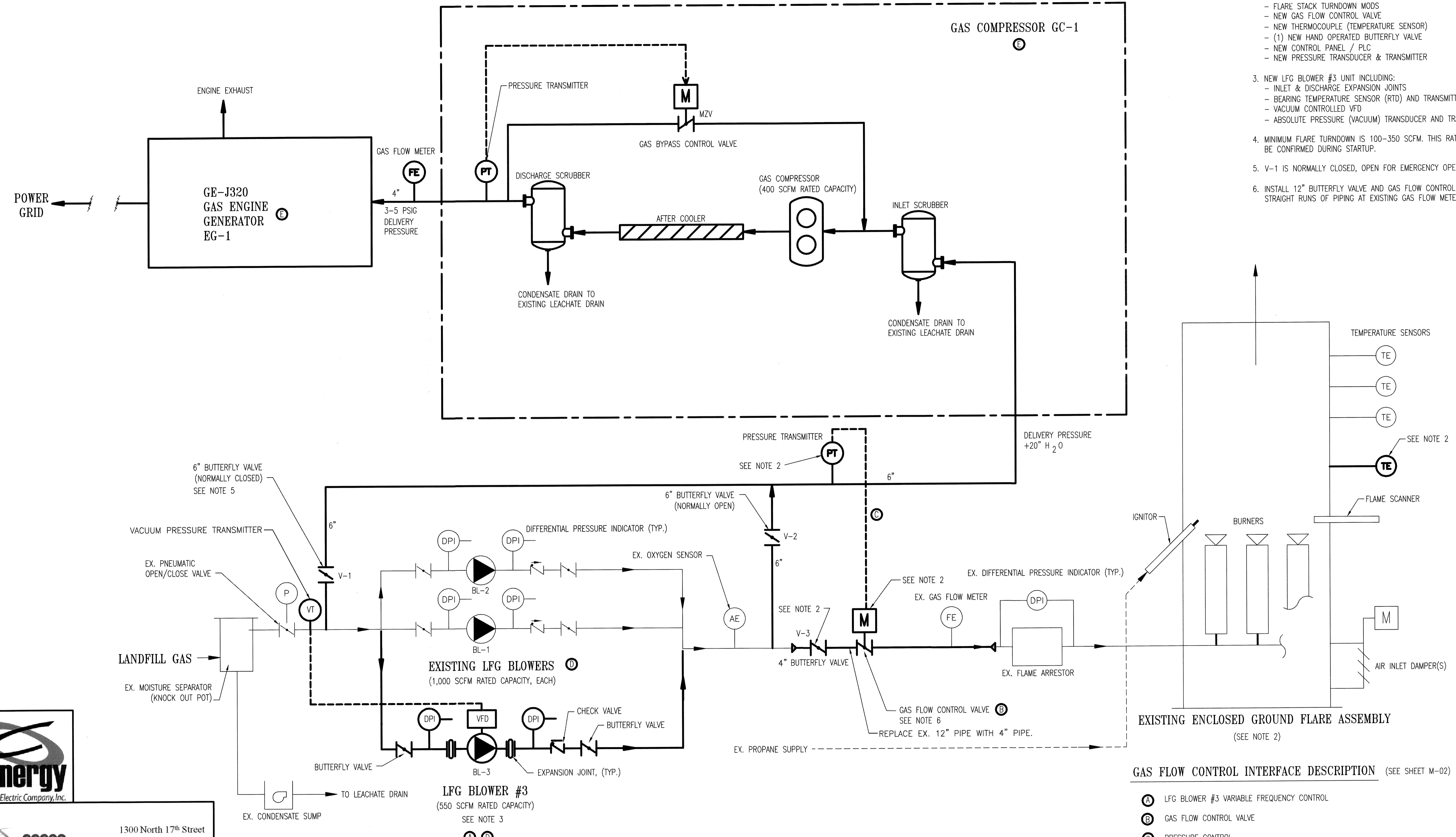


NOTES:

1. NEW SYSTEM AND EQUIPMENT SHOWN IN BOLD, EXISTING SHOWN IN LIGHT LINE WEIGHT OR CALLED OUT AS "EXISTING".
2. EXISTING ENCLOSED FLARE SYSTEM TO BE MODIFIED BY JOHN ZINK CO.:
 - FLARE STACK TURNDOWN MODS
 - NEW GAS FLOW CONTROL VALVE
 - NEW THERMOCOUPLE (TEMPERATURE SENSOR)
 - (1) NEW HAND OPERATED BUTTERFLY VALVE
 - NEW CONTROL PANEL / PLC
 - NEW PRESSURE TRANSDUCER & TRANSMITTER
3. NEW LFG BLOWER #3 UNIT INCLUDING:
 - INLET & DISCHARGE EXPANSION JOINTS
 - BEARING TEMPERATURE SENSOR (RTD) AND TRANSMITTER
 - VACUUM CONTROLLED VFD
 - ABSOLUTE PRESSURE (VACUUM) TRANSDUCER AND TRANSMITTER
4. MINIMUM FLARE TURNDOWN IS 100-350 SCFM. THIS RATE SHOULD BE CONFIRMED DURING STARTUP.
5. V-1 IS NORMALLY CLOSED, OPEN FOR EMERGENCY OPERATION.
6. INSTALL 12" BUTTERFLY VALVE AND GAS FLOW CONTROL VALVE TO MAXIMIZE STRAIGHT RUNS OF PIPING AT EXISTING GAS FLOW METER.

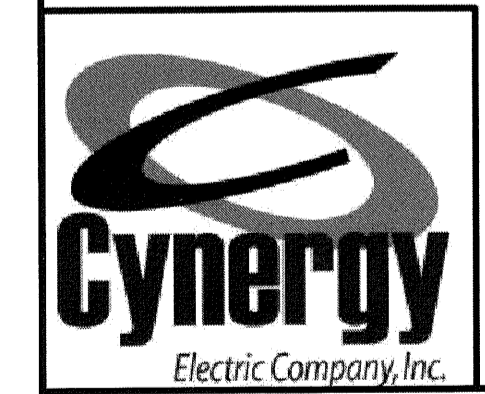


GAS FLOW CONTROL INTERFACE DESCRIPTION (SEE SHEET M-02)

- (A) LFG BLOWER #3 VARIABLE FREQUENCY CONTROL
- (B) GAS FLOW CONTROL VALVE
- (C) PRESSURE CONTROL
- (D) LFG BLOWERS START/STOP OPERATION
- (E) GAS ENGINE GENERATOR

PROCESS SCHEMATIC

NOT TO SCALE



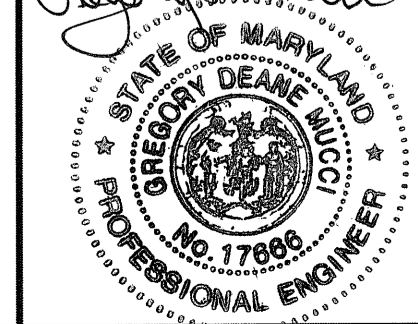
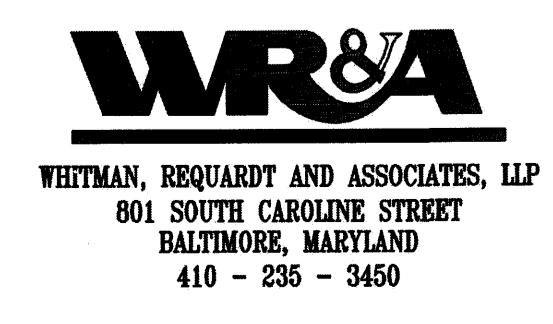
pepco Energy Services
 1300 North 17th Street
 Suite 1600
 Arlington, VA 22209
 (703) 253-1800

"PROFESSIONAL CERTIFICATION, I HEREBY CERTIFY THAT THESE DOCUMENTS WERE PREPARED OR APPROVED BY ME, AND THAT I AM A DULY LICENSED PROFESSIONAL ENGINEER UNDER THE LAWS OF THE STATE OF MARYLAND, LICENSE NO. _____, EXPIRATION DATE: _____"

DEPARTMENT OF PUBLIC WORKS
 HOWARD COUNTY, MARYLAND

DIRECTOR OF PUBLIC WORKS _____ DATE _____

CHIEF, BUREAU OF ENVIRONMENTAL SERVICES _____ DATE _____



DES: J.C.D.			
DRN: J.W.J.	G.D.M.	RECORD DRAWINGS	6/8/2012
	G.D.M.	RELEASE FOR CONSTRUCTION	12/15/11
CHK: G.D.M.	G.D.M.	ADD NOTE 5	11/14/11
	G.D.M.	ADD JOHN ZINK INTERFACE	11/10/11
DECEMBER 2011	BY: NO.	REVISION	DATE

PROCESS SCHEMATIC

ALPHA RIDGE LANDFILL GAS TO ENERGY SYSTEM
 CAPITAL PROJECT NO. C0299

5TH ELECTION DISTRICT
 HOWARD COUNTY, MARYLAND

M-01
 SCALE
 NTS
 SHEET
 6 OF 16

C:\Temp\Drawings\AlphaRidge_6086\70823000-001.dwg
 Dec 16, 2011 - 11:58am